

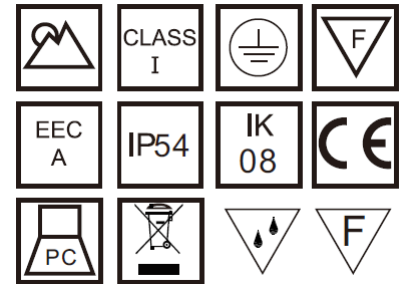
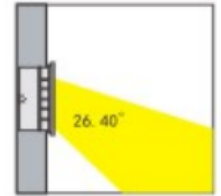
10W High Brightness Output IP54 Recessed LED Wall Light Model No.: D1WR4807



The COMI Landscape lighting's D1WR-series LED wall light & Stair light is designed for wall or step integration and offers various design possibilities in architectural illumination.

Features:

- Rectangle front cover.
- 110-120V or 220-240Vac 50/60Hz input.
- Light source: 48pcs 20-25LM 2835SMD LED.
- Lighting fixture luminous flux: 700-850LM (Original LEDs total: 960~1200LM).
- CRI(Ra)>80 (for 2200-6500K only).
- Color: 2700K, 3000K, 4000K, 6000K
- Honey comb-type clear tempered glass light window.
- Optional Lamp body color: grey, optional black, white, Silver.
- Easy wall recessed install by mounting sleeve.
- ABS mounting sleeve (also named Pre-buried box) included.
- IP Classification: IP54.
- 2 Years warranty.



Material Specifications:

Housing	12 Die-casting grey powder coated aluminum. T=60-80µm. Adhesion of ISO class 1/ASTM class 4B
Front Cover	12 Die-casting aluminum PT877U liquid coated , T=20-30µm Adhesion of ISO class 1/ASTM class 4B
Gasket	Molding shaped silicone seal
LED	48pcs 2835 SMD LED, 20-25LM/LED
Driver	Tridonic Constant voltage output
Operating Temperature	-20°C~40°C
Mounting Sleeve (Incl.)	ABS

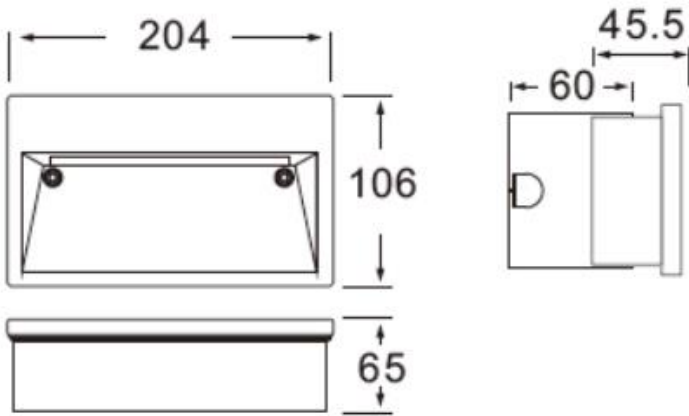
Technical Specifications:

Item Number	Light Source	CRI (Ra)	Beam Angle	Input Voltage (V)	Operating Current(mA)	Power (W)	Typical Luminance (lm)	IK Rated
D1WR4807	48x 2835 SMD LED	Ra>80	120°	120/240	120V=90 240V=45	10W	CW=810 WW=725	08

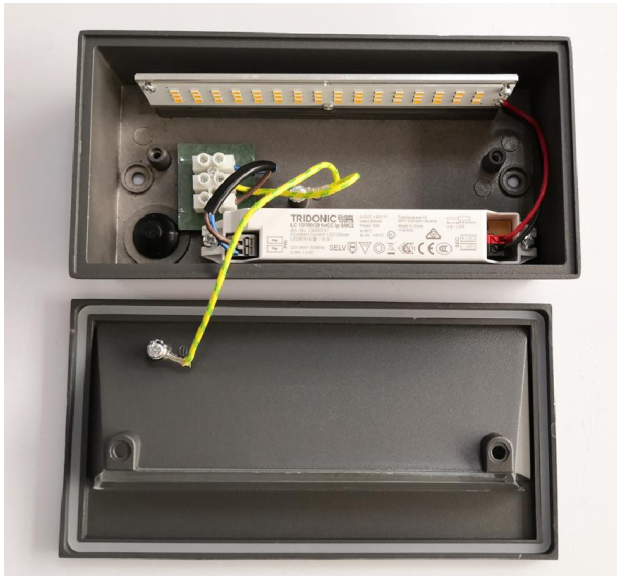
Notes:

1. Color: Mono (2700K, 3000K, 4000K, 6000K, Red, Green, Blue and etc.)
2. Specifications are subjected to change without notice.

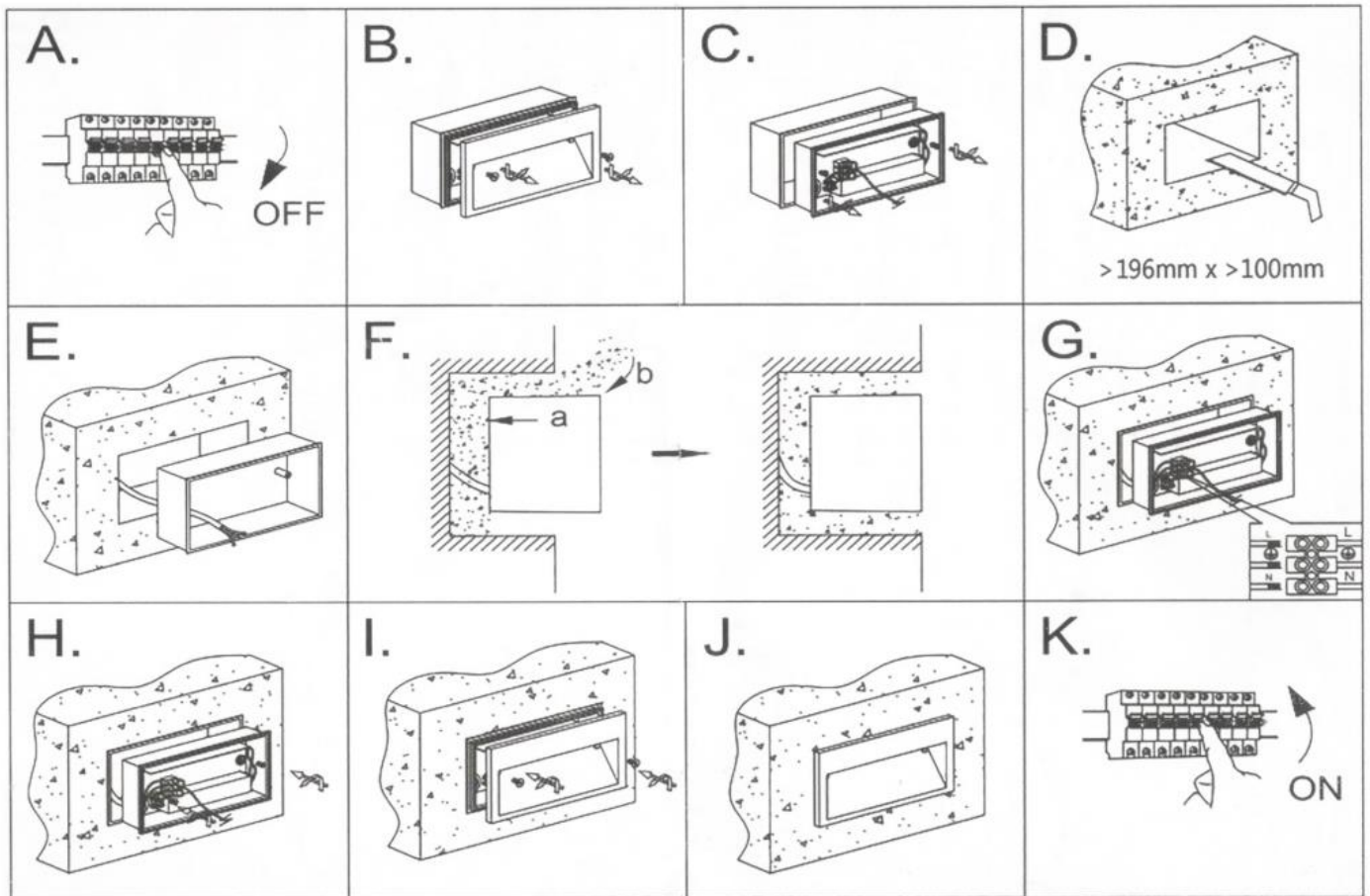
Dimensional Drawing (Units: mm):



Product Details:



Installation:



- A. Turn off the power;
- B. Unscrews the front cover screws.
- C. Unscrews the screws on the lamp housing (if not applicable, please ignore this step.)
- D. Cut out the hole on wall.
- E. Pass the power cable through the hole on back of the mounting sleeve(also named pre-buried back box).
- F. Fill cement fully into the gap between the wall and mounting sleeve,and fix the mounting sleeve on the right position and properly.
- G. Wiring correctly.
- H. Fix the lamp housing by screws into the mounting sleeve properly.
- I. Fix the front cover onto the lamp housing properly.
- J. Finish installation.
- K. Turn on the power to check if the lighting fixture can be working or NOT.

WARNING:

- This is a Class-I product and must be earthed.
- Please read the instructions carefully before commencing any work.
- This unit must be fitted by a competent and qualified electrician.
- Install in accordance with IEE Wiring regulations and current Building Regulations.
- prevent electrocution switch off at main supply before installing or maintaining this fitting .
- Ensure other persons can not restore the electrical supply without your knowledge.
- If you are in any doubt, please consult a qualified electricians.

COMI

LANDSCAPE LIGHTING

COMI LIGHTING LIMITED

Tel No.: +86-755-23158250 Fax:+86-755-2315 9362

Email: sales@comilandscapelighting.com; sales@comilighting.net
www.comilandscapelighting.com; www.comilighting.net